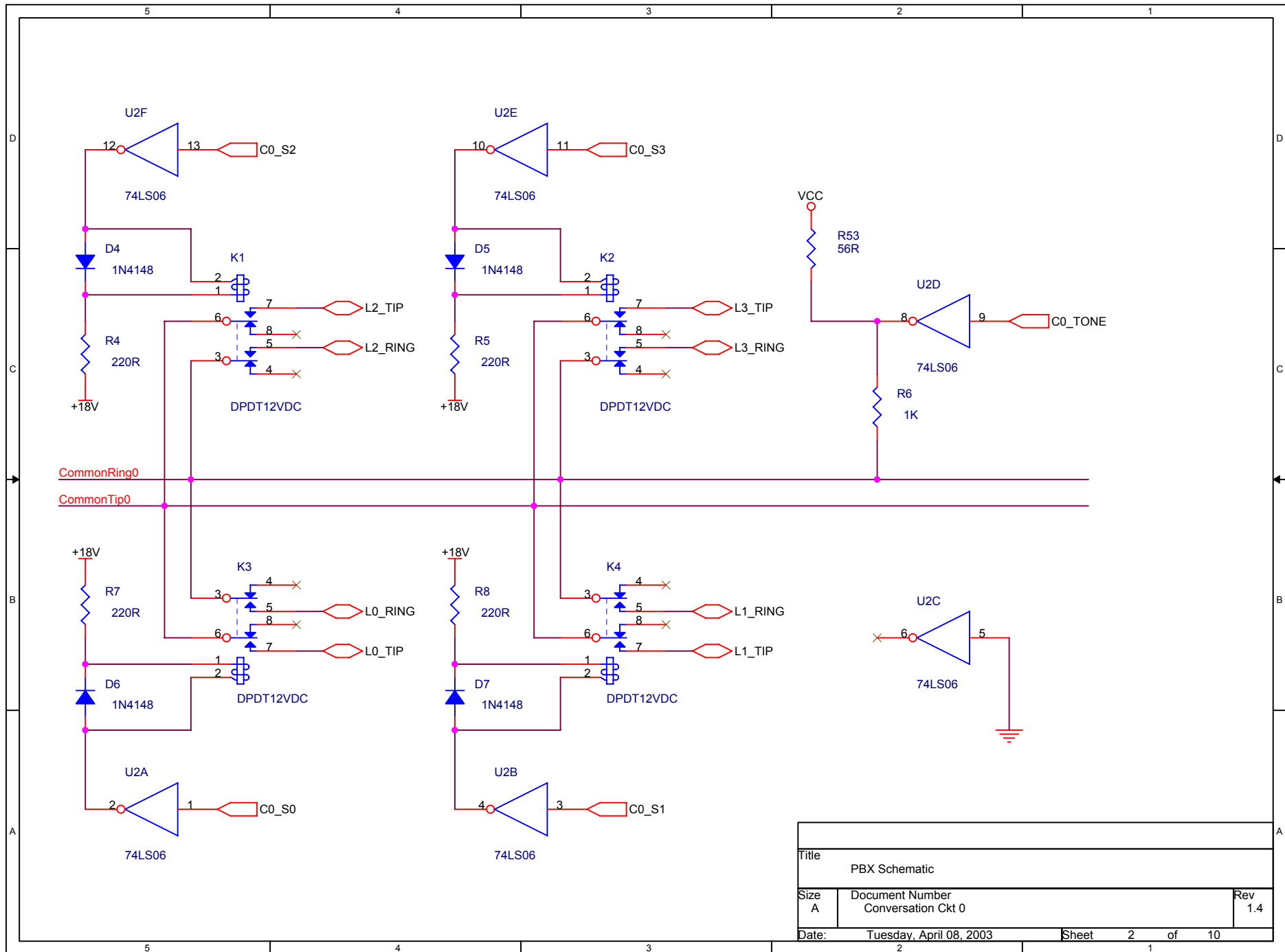
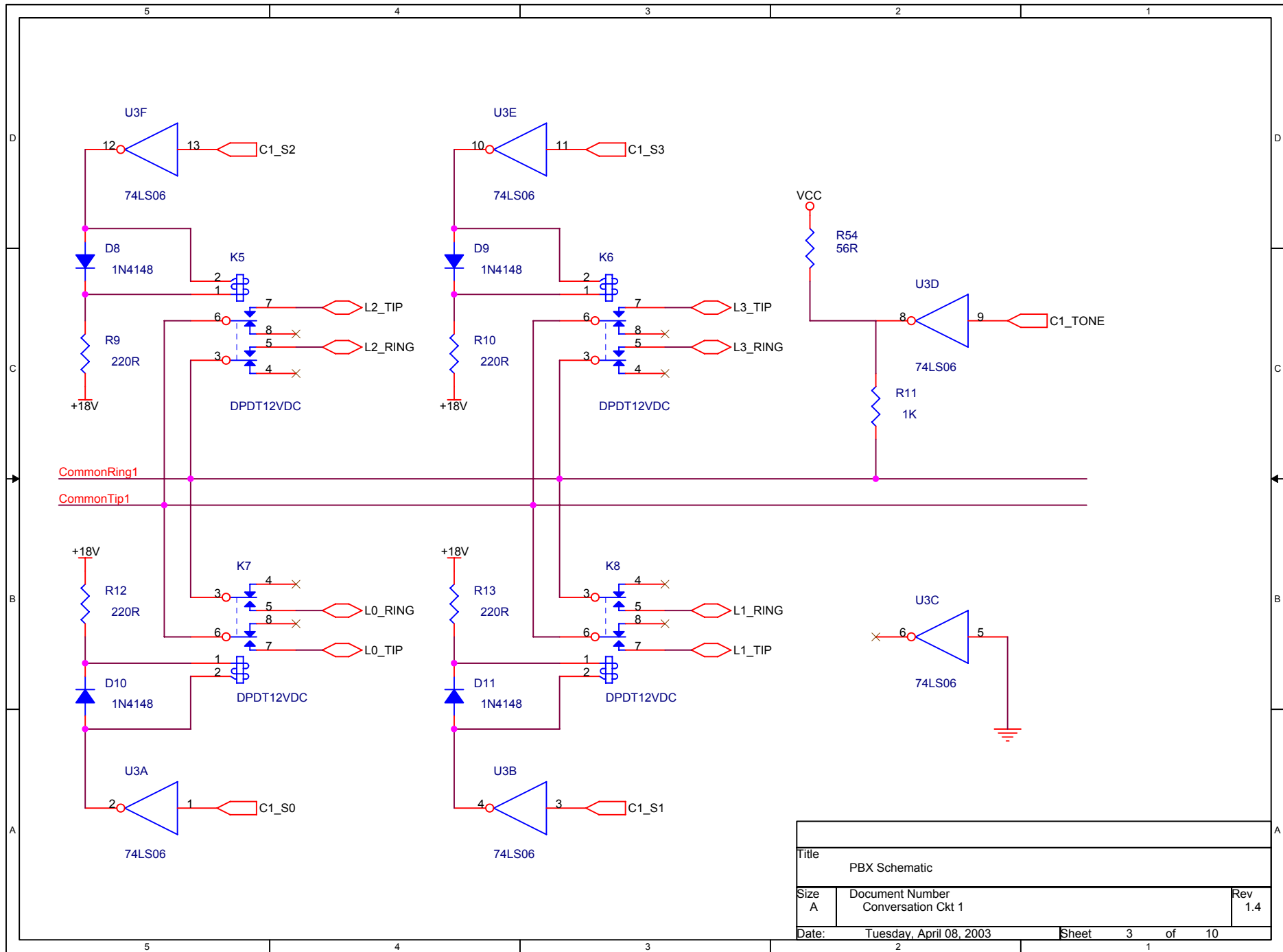
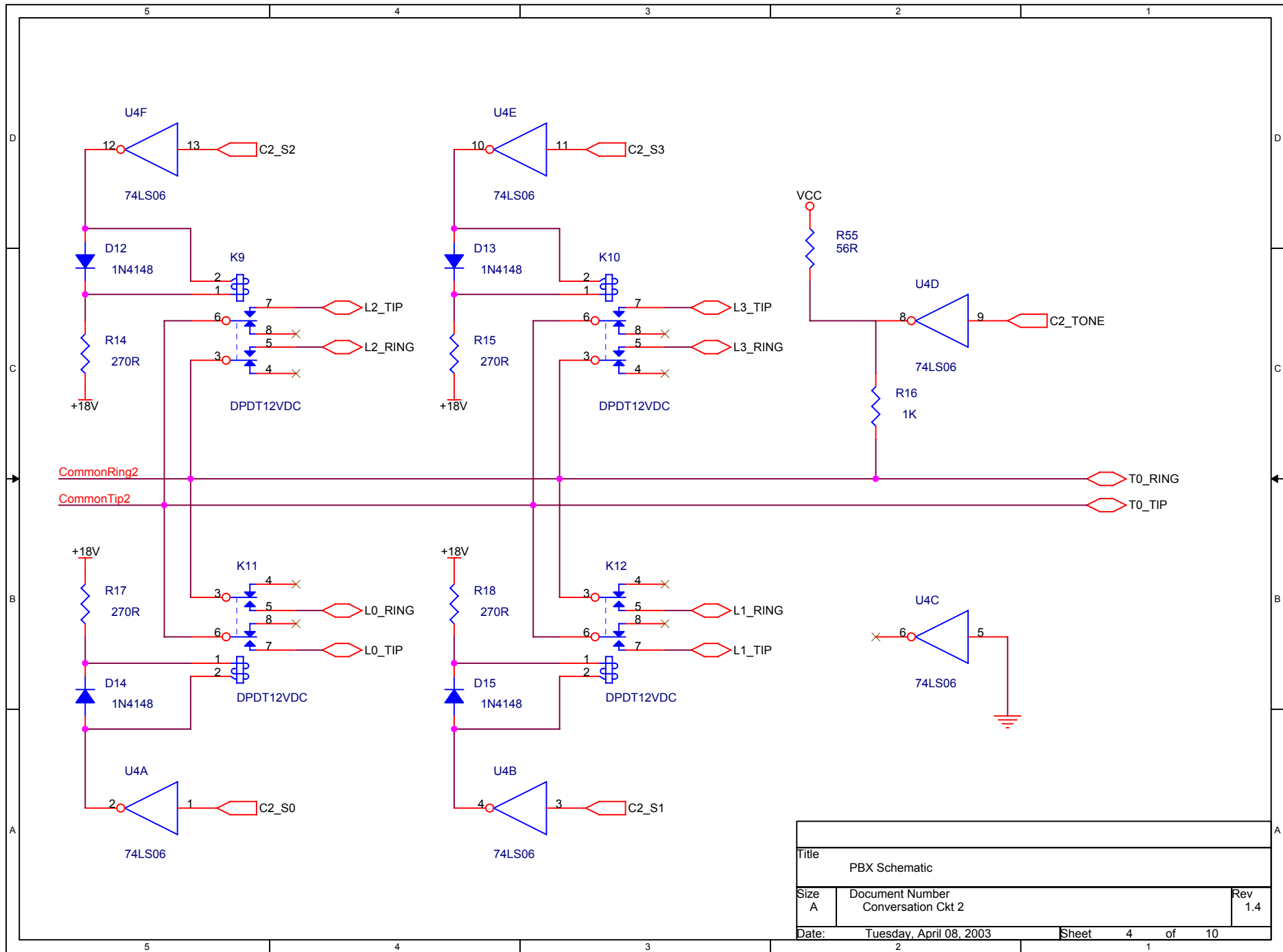


Title		
PBX Schematic		
Size	Document Number	Rev
A	Control	1.1
Date:	Tuesday, April 08, 2003	Sheet 1 of 10

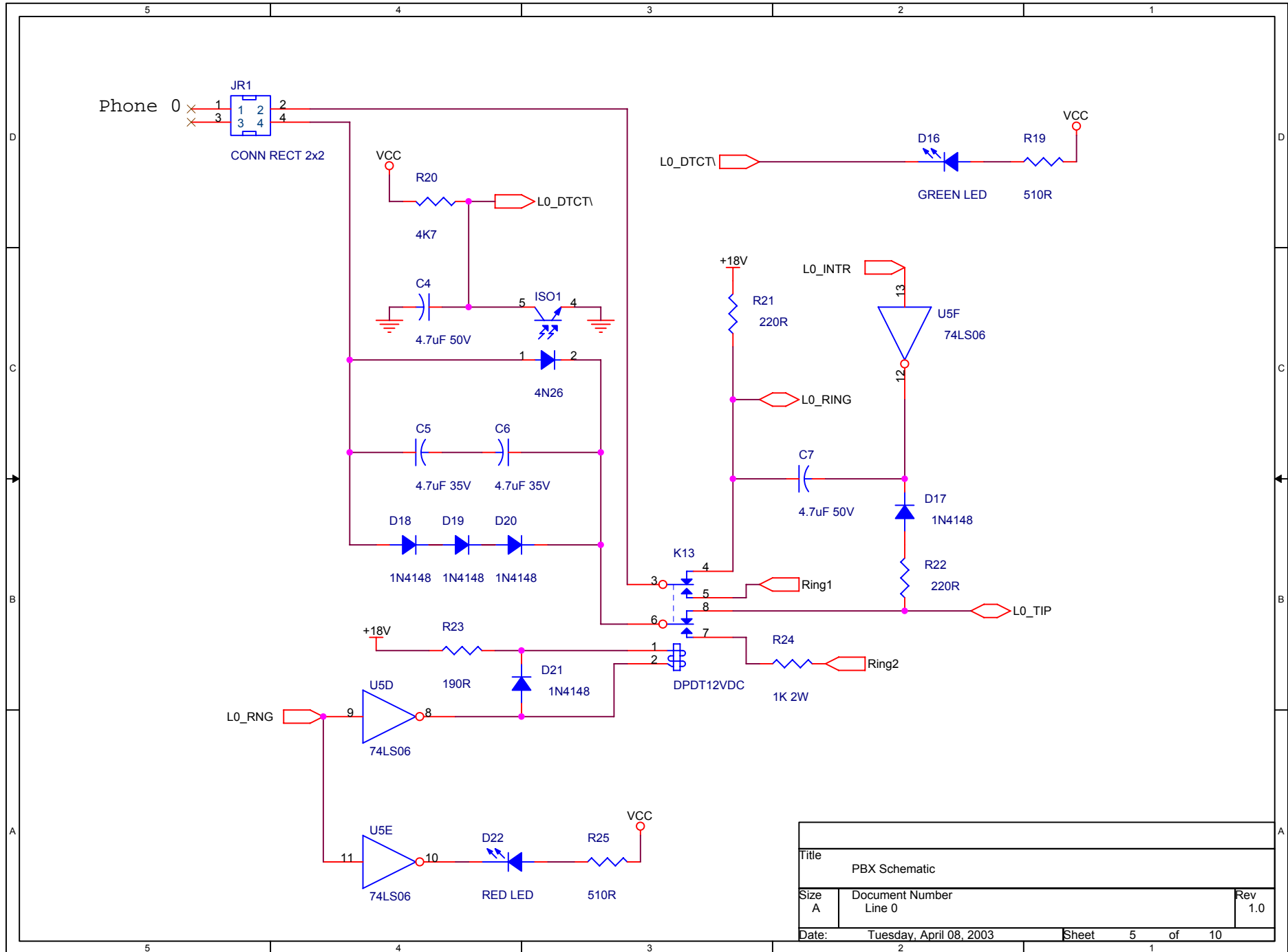


Title PBX Schematic		
Size A	Document Number Conversation Ckt 0	Rev 1.4
Date: Tuesday, April 08, 2003	Sheet 2	of 10

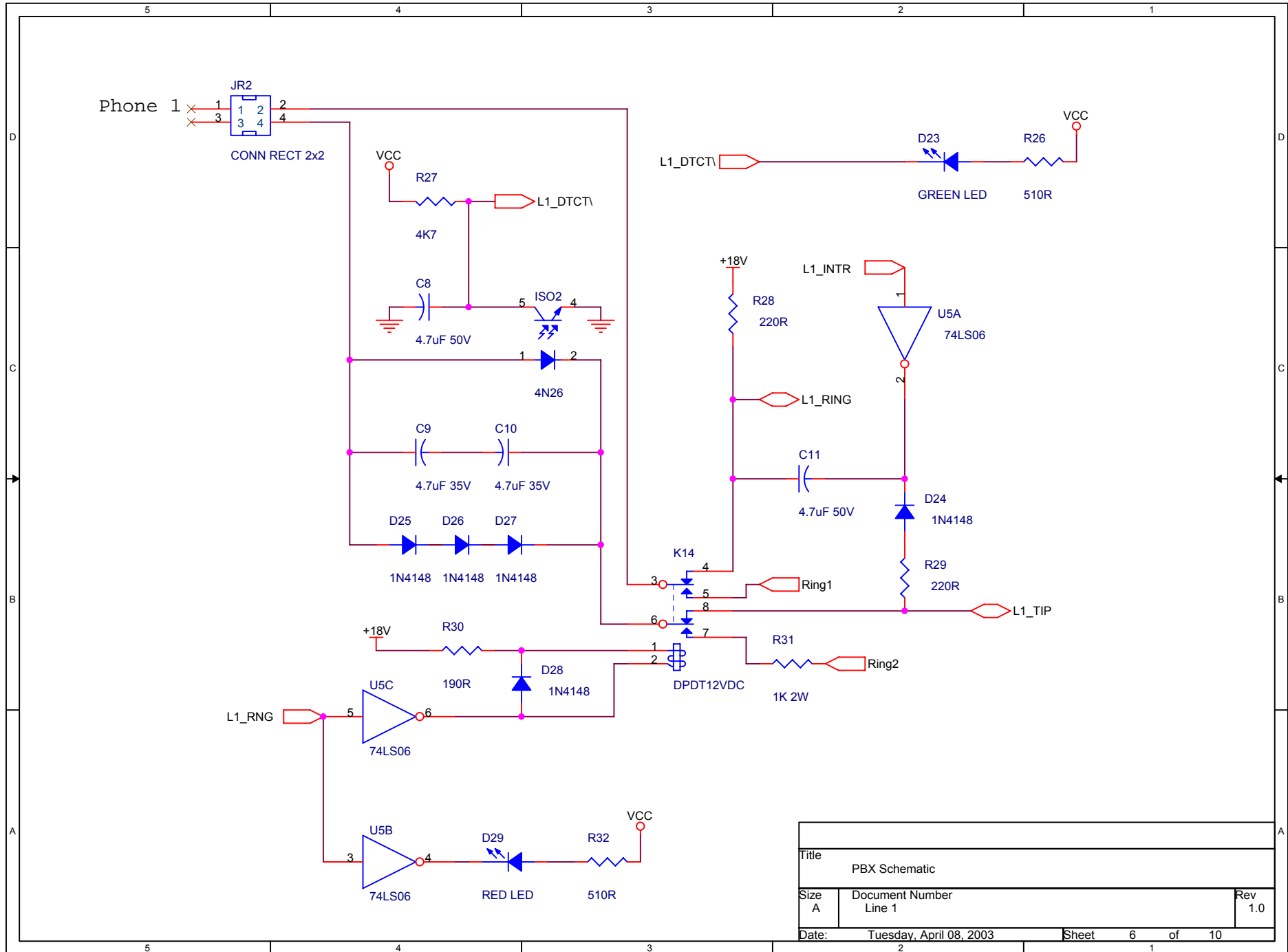




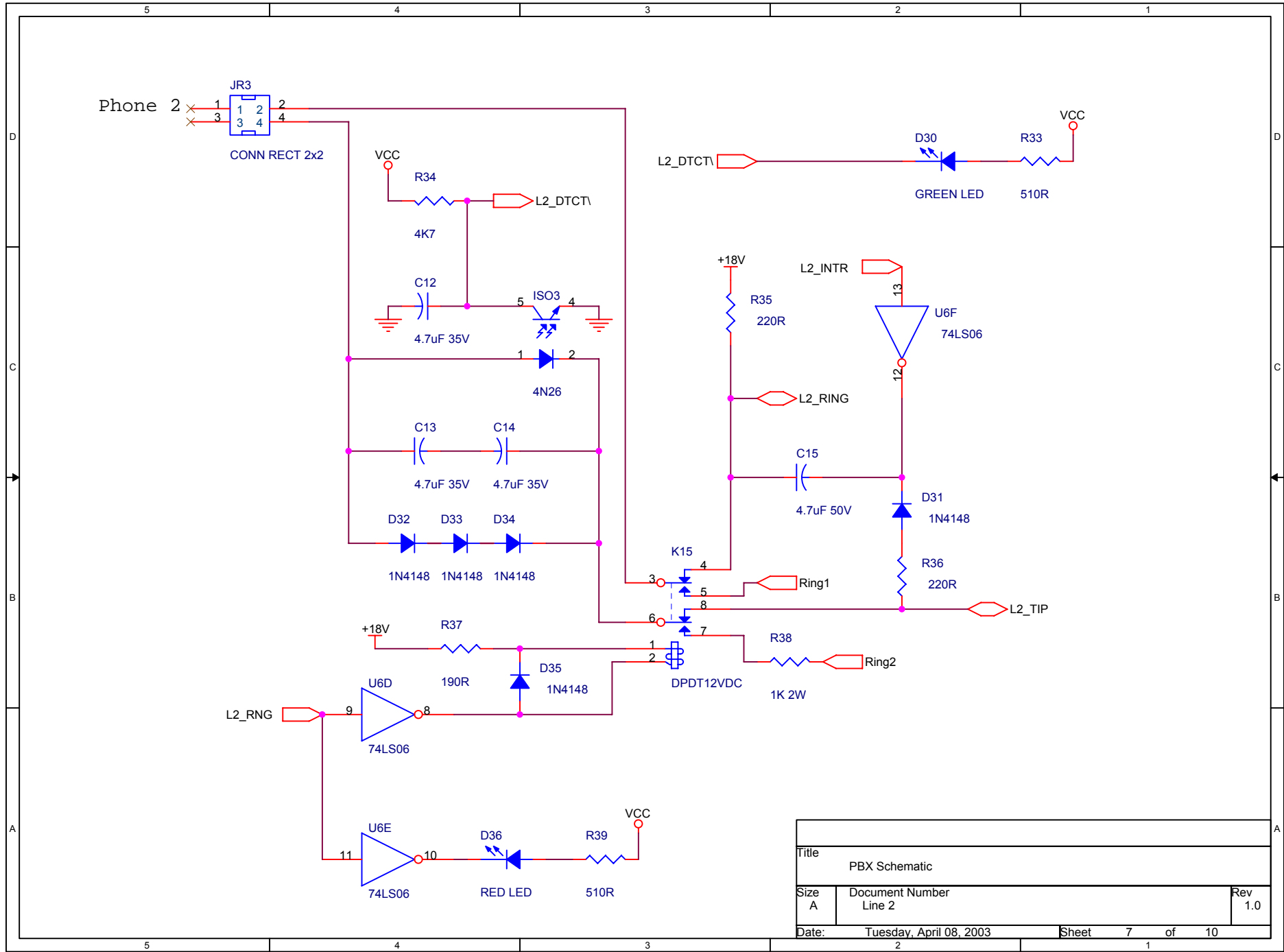
Title		
PBX Schematic		
Size	Document Number	Rev
A	Conversation Ckt 2	1.4
Date:	Tuesday, April 08, 2003	Sheet 4 of 10



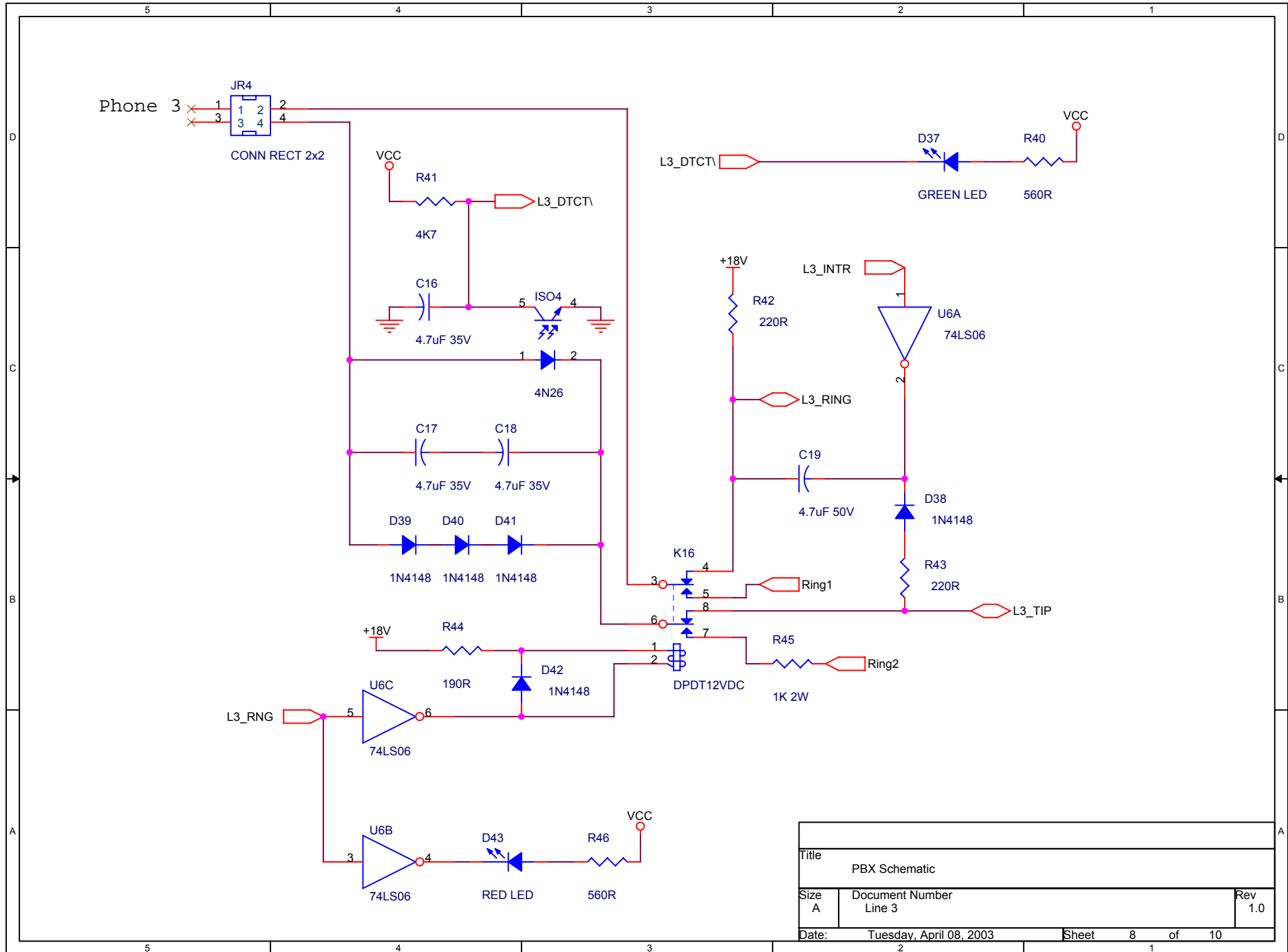
Title		
PBX Schematic		
Size	Document Number	Rev
A	Line 0	1.0
Date:	Tuesday, April 08, 2003	Sheet 5 of 10



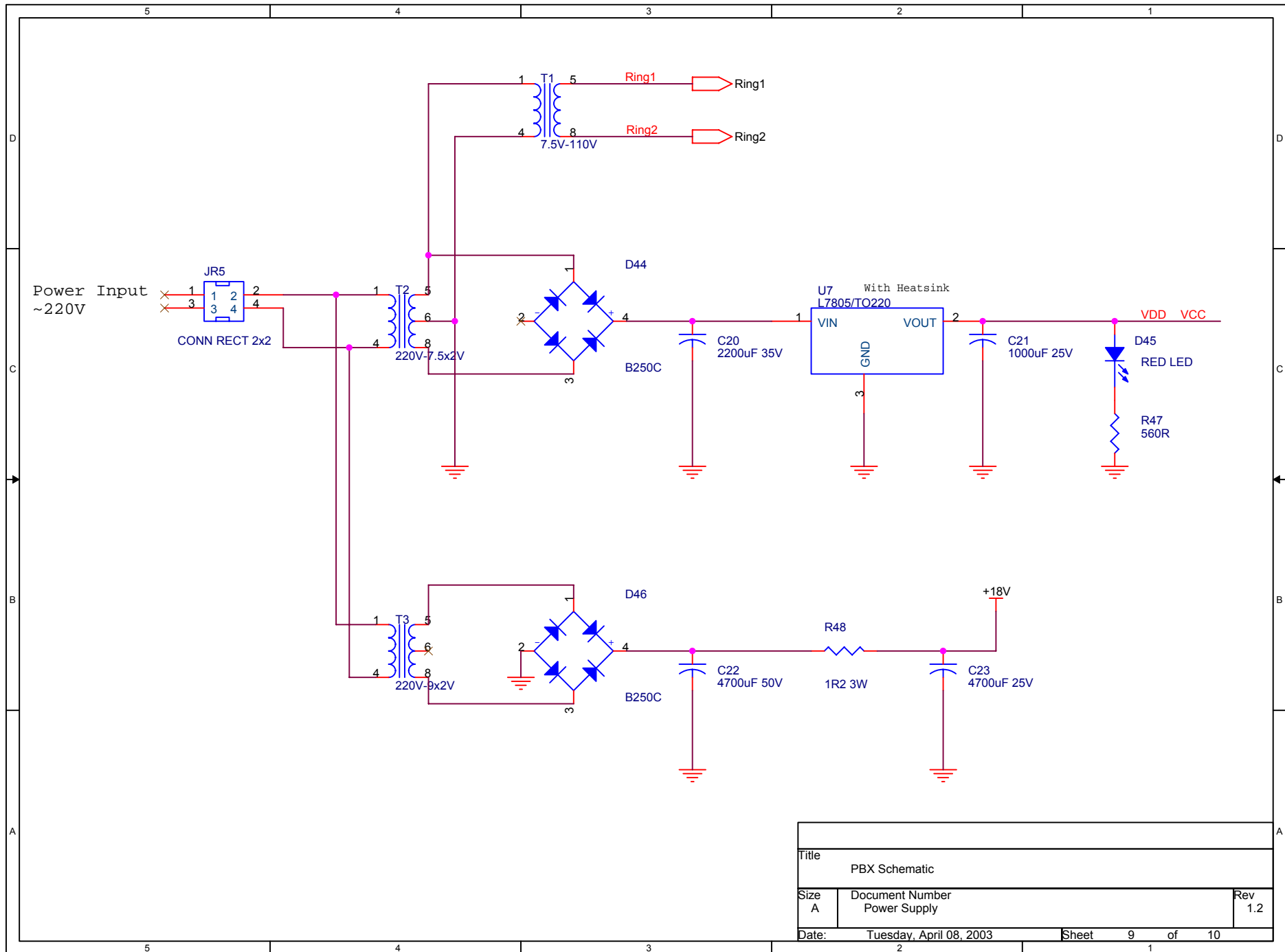
Title		
PBX Schematic		
Size	Document Number	Rev
A	Line 1	1.0
Date:	Tuesday, April 08, 2003	Sheet 6 of 10



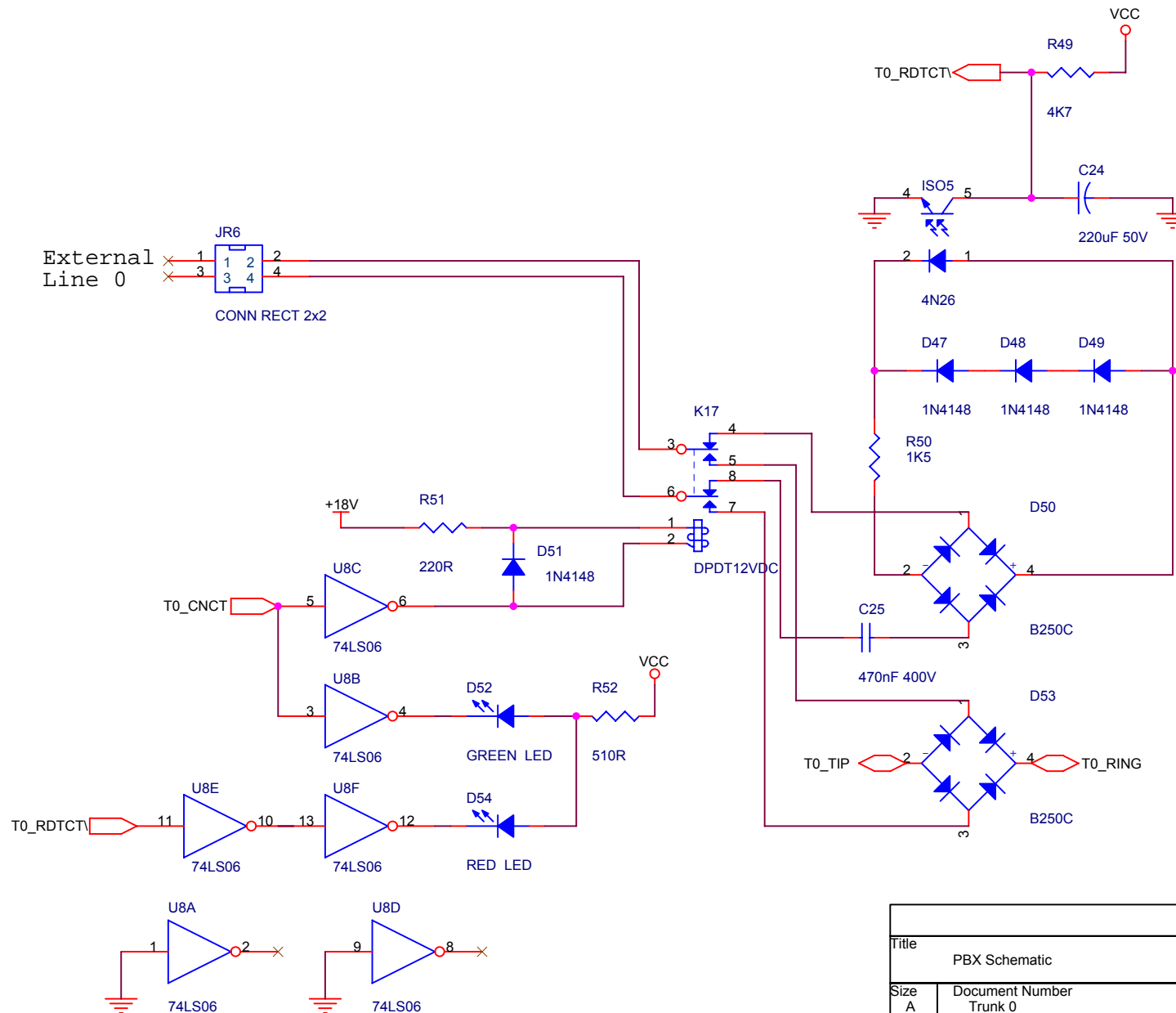
Title		
PBX Schematic		
Size	Document Number	Rev
A	Line 2	1.0
Date:	Tuesday, April 08, 2003	Sheet 7 of 10



Title		
PBX Schematic		
Size	Document Number	Rev
A	Line 3	1.0
Date:	Tuesday, April 08, 2003	Sheet 8 of 10



Title		
PBX Schematic		
Size	Document Number	Rev
A	Power Supply	1.2
Date:	Tuesday, April 08, 2003	Sheet 9 of 10



Title		
PBX Schematic		
Size	Document Number	Rev
A	Trunk 0	1.2
Date:	Tuesday, April 08, 2003	Sheet 10 of 10